

HORTICULTURAL LIGHT-HH series

Datasheet



HH is a high-performance horticultural light independently developed by Edison, which can provide plant lighting solutions according to the demand. Its shell is extruded by aluminum alloy, and its unique longitudinal grid heat dissipation design makes it have a longer life. IP66 waterproof grade increases its reliability. The application of professional chip technology and packaging technology makes the product reach the highest level of PPF output performance in the same industry.

Advantages

- $PPFE \geq 3.0 \mu\text{mol/J}$
- IP66 protection
- Efficient heat dissipation design

Applications

- Greenhouses
- Plant factories
- Vertical farms



Contents

Specification Information	3
Dimensions	4
Light Distribution Curve	4
Spectrum	5
Packaging Information	5
User Manual	6
ABOUTEDISON	7

Specification Information

Optical parameters

Model	HH3-240W	HH4-320W
Power	240W	320W
PPF	720 μ mol/s	960 μ mol/s
PPE (with driver)	3.0 μ mol/J @220Vac	
Proportion of LED (Red : Blue : White)	R:B:W Formula 1 is suitable for Solanaceae	
Red Light WLP	660nm \pm 5nm	
Blue Light WLP	450nm \pm 5nm	
White	5000K \pm 150K	
Warranty	5 years	

Electrical parameters

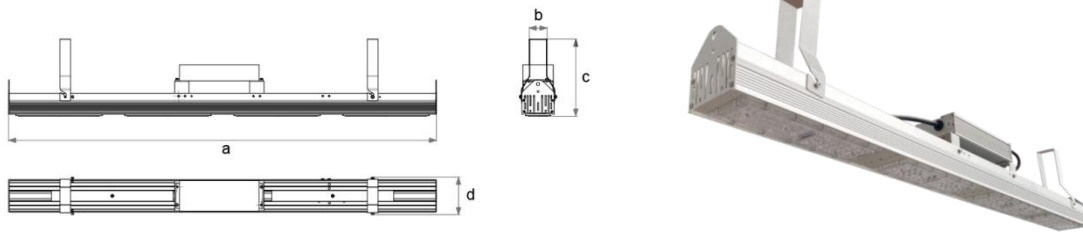
Input Voltage	100-277V
Rated Frequency	50/60HZ
Overall Power Factor	>0.95 @220Vac
Driver	INVENTRONICS

Mechanical parameters and key materials

LED Brand/Model	EMC 5050
Cover Lens	UV-resistance
Housing Material	Aluminum
Housing Color	White or aluminum natural color
Mounting	Matching 2.0*41*41mm C-type steel or lifting rope installation
Protection	IP66
Operating Temperature	-20 $^{\circ}$ C \leq T \leq 45 $^{\circ}$ C · it can be used normally

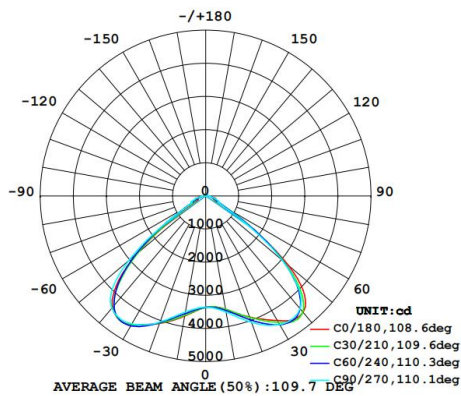
Due to the special conditions of LED manufacturing process, the typical technical parameter data can only reflect the statistical data, not necessarily consistent with the actual situation.

Dimensions



	HH3-240W	HH4-320W
a	890mm	1194mm
b	50mm	50mm
c	213mm	213mm
d	104mm	104mm

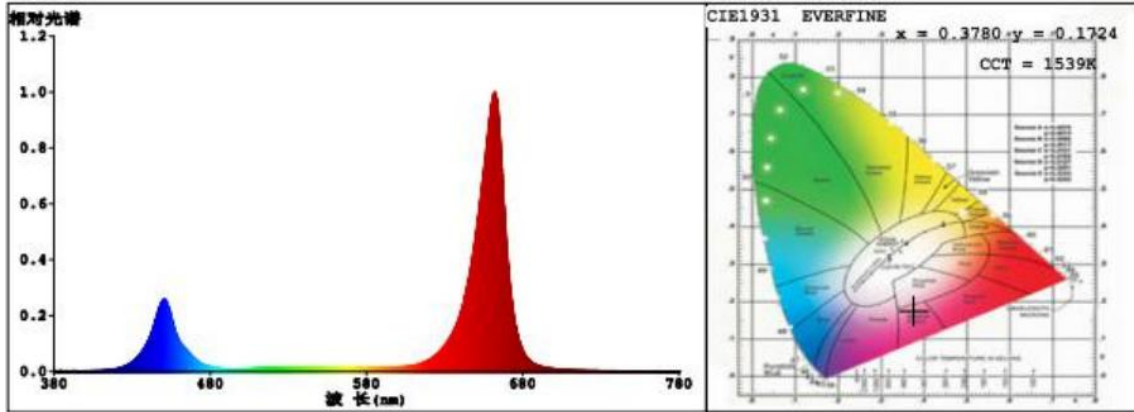
Light Distribution Curve



110° (±5°)

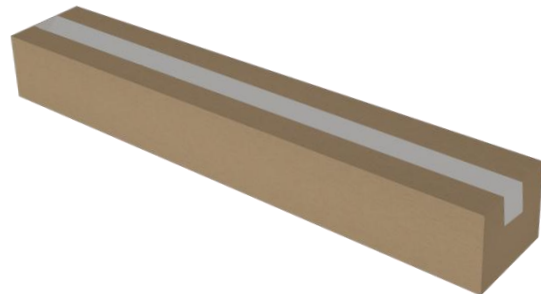
*Other optical types are available on special request.

Spectrum

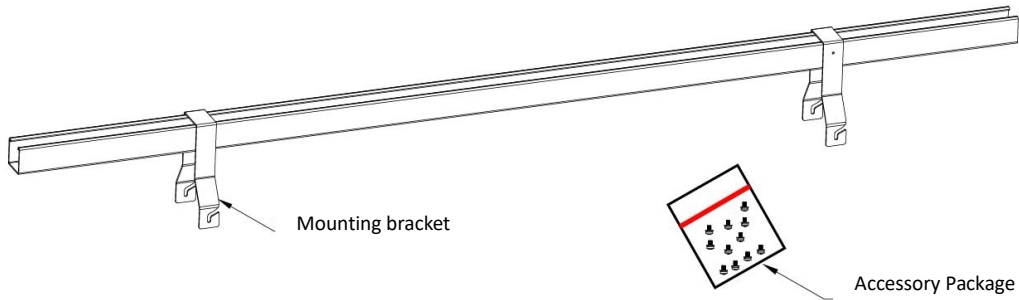


Packaging Information

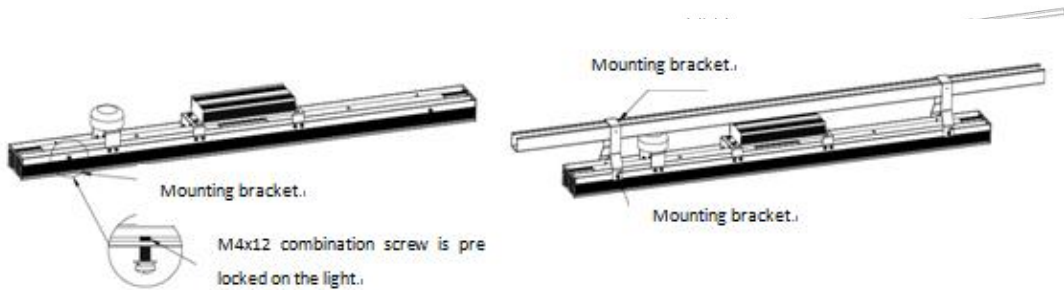
	HH3-240W	HH4-320W
Packaging	925*145*190	1230*145*190
N. Weight (kg)	4.3	5.6
G. Weight (kg)	5.2	6.6
Packing	1pc/carton	1pc/carton



User Manual

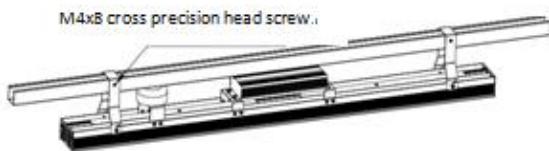


Step 1: take out 2 mounting brackets in the accessory package, C type steel installed on site, adjust the position of the mounting bracket, and the spacing can be roughly adjusted to 950mm.

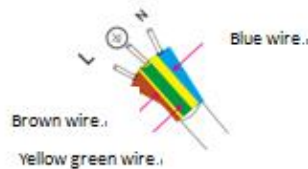


Step 2: take out four m4x12 combination screws in the accessory package. The combination screw is pre locked on the light fixture.

Step 3: hang the combination screw hole on the light on the hole of the mounting bracket. Adjust the mounting bracket to make it vertical.

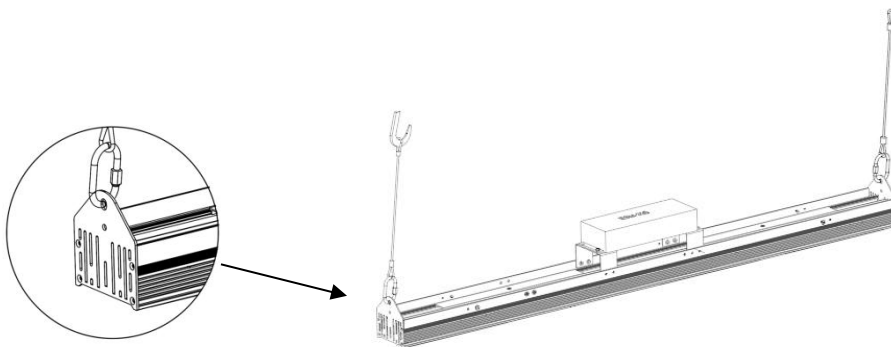


Step 4: take out four 4x8 cross precision head screws in the accessory package. Lock the screw on the bracket.



Step 5: please connect according to the corresponding color, and the power cord is 3*1.0mm² in accordance with GB 5013.1.

Optional



Version	Modify description	Date
1.0	New	2022.10

About Edison

Edison opto provides customers with a complete development process, establishes a thermal, electrical, mechanical and optical (Temo) technology and design service platform, and is committed to improving product quality and yield; The first LDMS (Lighting Design Manufacturing Service) LED integrated design service, from components to modules, from optical design to finished lamp manufacturing, establishes vertical customized solutions and provides more perfect customer service value.

For more product information, please go to the official website www.edison-opto.com