

STREET LIGHT: SP

DATASHEET



SP Street Light Series is an energy-saving LED street light for a wide range of application. It is featured with excellent heat sink design as well as superior optical design. It provides long-lasting performance even in a diverse environment. The fixture is the best platform to achieve optimal balance between performance and cost.

Advantages

- Die-cast aluminium, efficient heat dissipation.
- Simple design, repels water and dust.
- NEMA smart control expansion supported.
- angle adjustment range $\pm 15^\circ$, minimum adjustable scale 5°

Application

- Urban/rural roads
- Parking lots
- Streets
- Public areas

Features

- Power: 30W - 200W
- CCT: 3000K - 5700K
- 150LM/W
- IP66, IK08
- CB, CE, ENEC
- warranty 5years

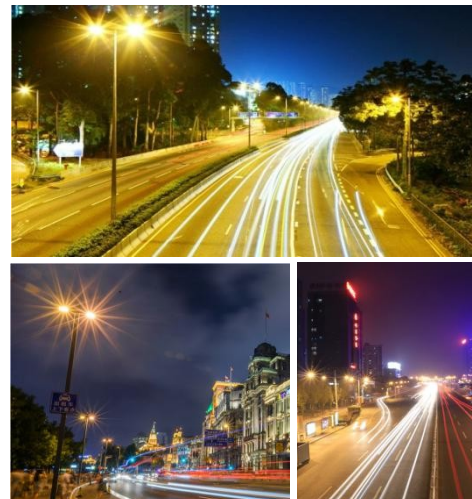




Table of Contents

Specification Information	3
Features	4
Accessories.....	5
Dimensions.....	6
Light Distribution Curve.....	6
Packaging Information.....	7
User Manual(SP1 SP2).....	8
User Manual(SP3 SP4).....	9
Revision History	10
About EDISON TO	10

Specification Information

- Optical parameters**

Model No.	SP1-30W	SP1-40W	SP2-50W	SP2-60W	SP3-100W
Power	30W	40W	50W	60W	100W
Lumen	4500Lm	6000Lm	7500Lm	9000Lm	15000Lm

Model No.	SP3-120W	SP4-150W	SP4-200W		
Power	120W	150W	200W		
Lumen	18000Lm	22500Lm	30000Lm		
Efficiency	150lm/W*				
CCT (Typ. K ± 10%)	3000K, 4000K, 5700K				
CRI (Ra)	≥70				
SDCM	≤6				
Beam angle	Type II				

- Electrical parameters**

Input voltage	AC220-240V 50/60Hz
Power Factor	> 0.95
Surge Protection	SP1 SP2: EDISON Isolated 4KV, SP3 SP4: MOSO 6KV**
Dimmable	0-10V, PWM, Timer dimming (Optional)

- Mechanical parameters and key materials**

Housing	High-pressure die-cast aluminum RAL9023 gray
Cover Lens	UV-resistant PC
LED Driver	SP1 SP2: EDISON Isolated SP3 SP4: MOSO
LED Brand/Model	SP1 SP2 SP3 EDISON 3030 SP4 EDISON 5050

- General parameters**

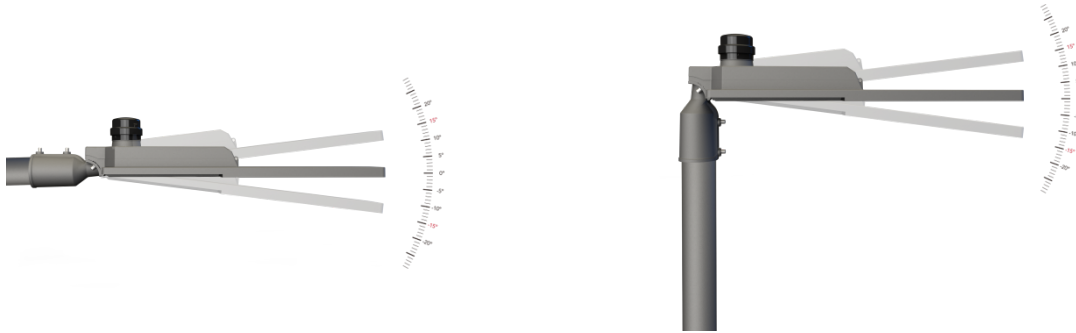
Mounting	Side entry or post-top
Operating Temperature	- 20 ~ + 50°C
Storage humidity	10% ~ 85%
Protection	IP66, IK08
Electrical class	Class I
Safety Approval	CB, CE, ENEC
Lumen maintenance	50,000 hours at L70

*base on: 4000K and LED 5050

**SPD 10KV/20KV is optional.

Due to the special conditions of manufacturing process of LED, the typical data of technical parameters can only reflect statistical figures and do not necessarily correspond to the actual

Features



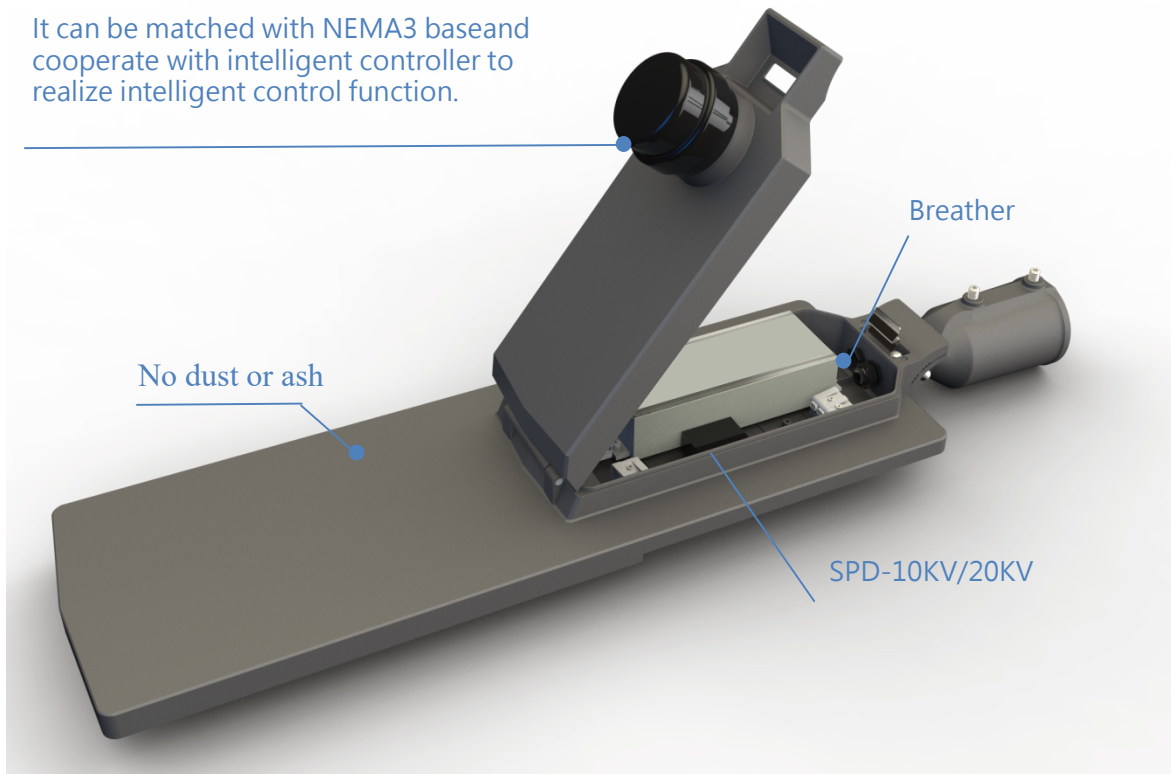
Up and down adjustable angle $\pm 15^\circ$

SP1 SP2



SP3 SP4

It can be matched with NEMA3 base and cooperate with intelligent controller to realize intelligent control function.



Accessories



60-76 adaptor



48mm adaptor



Wall bracket



Wiring connector(IP66)



Input cable



Photocell

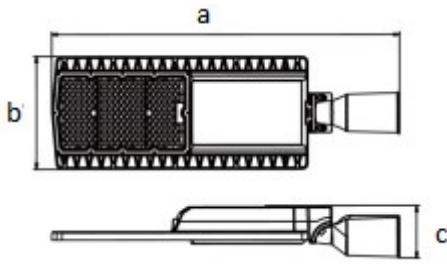


NEMA receptacle



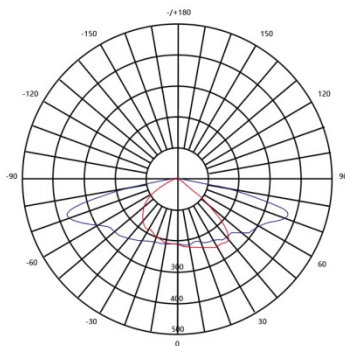
Shorting cap

Dimensions



Model No.	SP1	SP2	SP3	SP4
a	425mm	494mm	623mm	775mm
b	117mm	155mm	200mm	200mm
c	76mm	76mm	93mm	108mm
Pole diameter	55~60mm	55~60mm	55~60mm	55~60mm
Pole diameter (with adaptor)	48~76mm	48~76mm	48~76mm	48~76mm

Light Distribution Curve



TYPE II

Packaging Information

Model No.	SP1	SP2	SP3	SP4
Packaging dimension (mm)	525*475*215(10:1)	650*545*265(10:1)	690*525*355(6:1)	835*290*195(1:1)
N. Weight (kg)	12.2	17.2	19.2	4.3
G. Weight (kg)	14	20	20	5.3
Packing	10pcs/carton	10pcs/carton	6pcs/carton	1pc/carton

User Manual(SP1 SP2)

Operative instructions

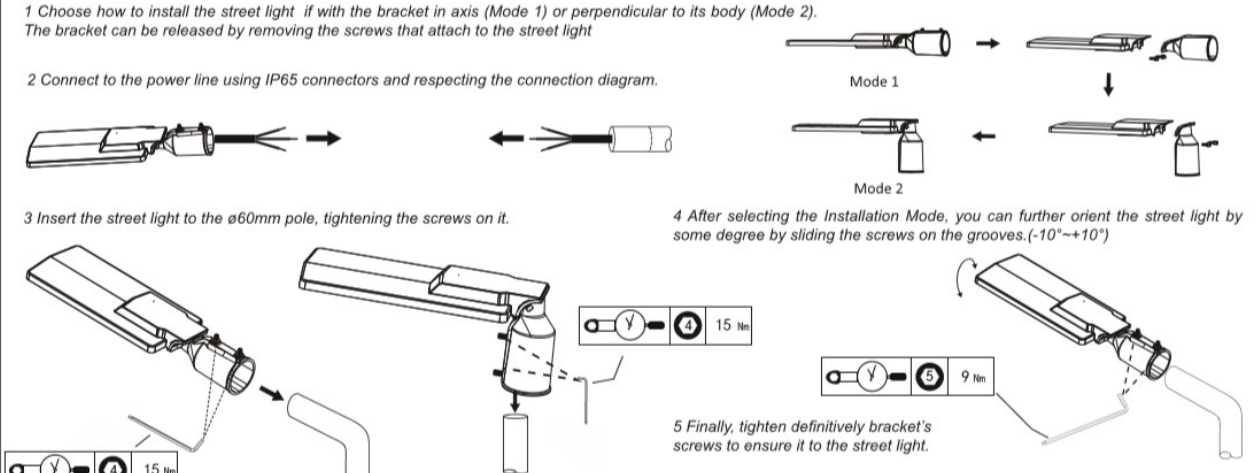
1 Choose how to install the street light if with the bracket in axis (Mode 1) or perpendicular to its body (Mode 2).
The bracket can be released by removing the screws that attach to the street light

2 Connect to the power line using IP65 connectors and respecting the connection diagram.

3 Insert the street light to the $\varnothing 60\text{mm}$ pole, tightening the screws on it.

4 After selecting the Installation Mode, you can further orient the street light by some degree by sliding the screws on the grooves. (-10° ~ $+10^{\circ}$)

5 Finally, tighten definitively bracket's screws to ensure it to the street light.

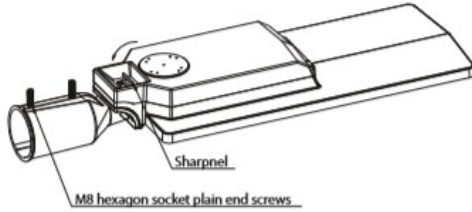


The diagram includes torque specifications for various screws:

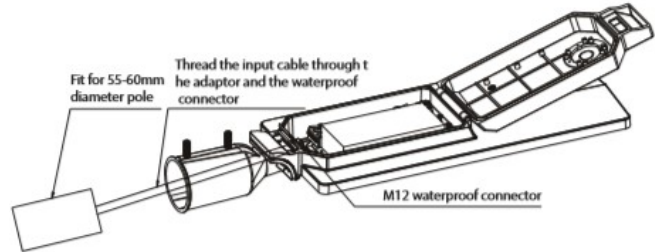
- Step 3: Torque 15 Nm
- Step 4: Torque 9 Nm
- Step 5: Torque 15 Nm

User Manual(SP3 SP4)

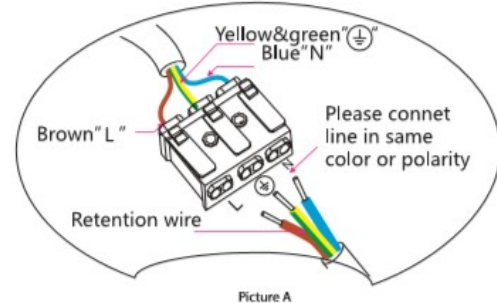
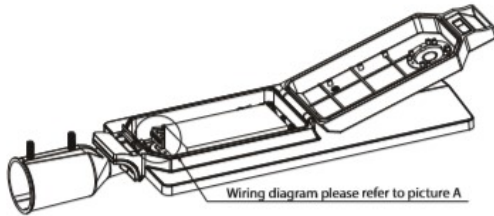
Step 1: Loosen the M8 hexagon socket plain end screw with 4mm hexagon wrench. Open the fixture cover by pressing the sharpnel.



Step 2: Loosen the the waterproof connector with 16mm hexagon wrench, thread supply line through the pole adaptor and the waterproof connector.

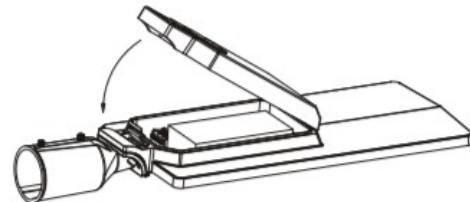
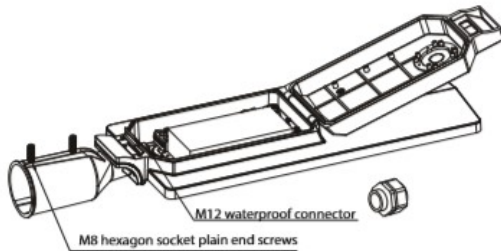


Step 3: Input cable should be 3*1mm² cable according to IEC60245



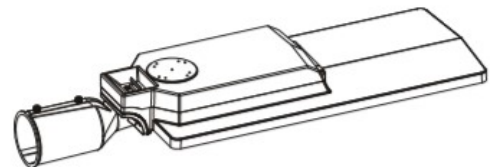
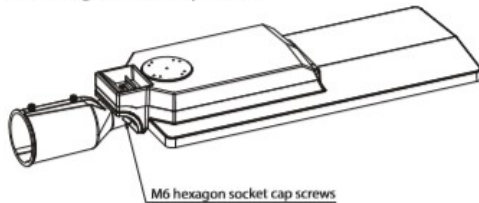
Picture A

Step 4: Fix the M8 hexagon socket plain end screw(the torque is 23N.M), and then fix the waterproof connector



Step 5: Close the fixture cover, and the cover should be firmly fixed on the body by the sharpnel.

Step 6: Loosen the M6 hexagon socket cap screws with 5mm hexagon wrench, and adjust the tilting for -10°, -5°, 0°, 5°, and 10°. After adjustment, tighten M6 hexagon socket cap screws.





Revision History

Versions	Description	Release Date
1.0	NEW	2023/11

About Edison Opto

Edison Opto provides comprehensive LED and solid-state lighting products from LED Component, Light Module, UV / IR LED, LED sensing, Horticulture and Automotive Lighting. With a view to improve R&D process, Edison Opto develops the vertical platform on **TEMOTM** (Thermal . Electrical . Mechanical. Optical) to ensure the quality of products and services; Furthermore, Edison Opto creates **LDMSTM** (Lighting Design Manufacturing Service) from light source to luminaire manufacturing, to serve our customers a quality experience of customized solutions.



Lear more